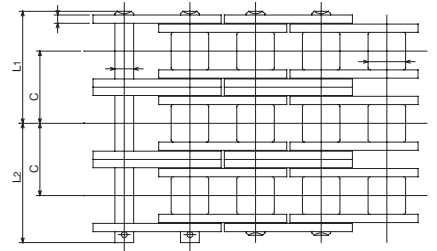
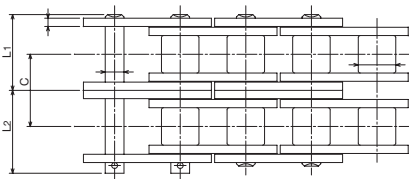
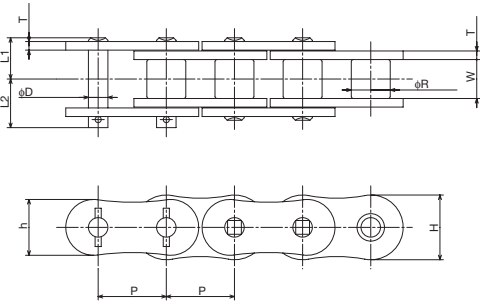


Super-H Series

Heavy Duty Roller Chain



All dimensions in inches unless otherwise stated.

| Chain Number | Pitch P | Roller Diameter R | Width Between Inner Link Plates W | Link Plate | | | Pin | | | Transverse Pitch C | Average Tensile Strength (lbs.) | Maximum Allowable Load (lbs.) | Approximate Weight (lbs./ft.) | |
|----------------------|--------------|-------------------|-----------------------------------|--------------|--------------|--------------|--------------|--|-----------------------|--------------------|---------------------------------|-------------------------------|-------------------------------|-----------------------|
| | | | | Thickness T | Height H | Height h | Diameter D | Length L ₁ + L ₂ | Length L ₁ | | | | | Length L ₂ |
| Single Strand | | | | | | | | | | | | | | |
| SUPER80H | 1.000 | 0.625 | 0.625 | 0.157 | 0.949 | 0.819 | 0.313 | 1.543 | 0.720 | 0.823 | - | 22,000 | 4,620 | 2.21 |
| SUPER100H | 1.250 | 0.750 | 0.750 | 0.189 | 1.185 | 1.024 | 0.376 | 1.823 | 0.858 | 0.965 | - | 32,560 | 7,260 | 3.28 |
| SUPER120H | 1.500 | 0.875 | 1.000 | 0.220 | 1.425 | 1.228 | 0.437 | 2.264 | 1.061 | 1.203 | - | 44,000 | 9,460 | 4.66 |
| SUPER140H | 1.750 | 1.000 | 1.000 | 0.252 | 1.661 | 1.433 | 0.500 | 2.441 | 1.138 | 1.303 | - | 57,200 | 12,760 | 5.97 |
| SUPER160H | 2.000 | 1.125 | 1.250 | 0.281 | 1.898 | 1.638 | 0.563 | 2.851 | 1.337 | 1.514 | - | 72,600 | 16,500 | 7.88 |
| SUPER200H | 2.500 | 1.500 | 1.500 | 0.374 | 2.374 | 2.047 | 0.781 | 3.583 | 1.689 | 1.894 | - | 134,200 | 22,400 | 13.22 |
| SUPER240H | 3.000 | 1.875 | 1.875 | 0.500 | 2.850 | 2.457 | 0.937 | 4.610 | 2.157 | 2.453 | - | 206,800 | 31,240 | 20.47 |
| Double Strand | | | | | | | | | | | | | | |
| SUPER80H-2 | 1.000 | 0.625 | 0.625 | 0.157 | 0.949 | 0.819 | 0.313 | 2.823 | 1.358 | 1.465 | 1.283 | 44,000 | 7,854 | 4.38 |
| SUPER100H-2 | 1.250 | 0.750 | 0.750 | 0.189 | 1.185 | 1.024 | 0.376 | 3.366 | 1.630 | 1.736 | 1.539 | 65,120 | 12,342 | 6.39 |
| SUPER120H-2 | 1.500 | 0.875 | 1.000 | 0.220 | 1.425 | 1.228 | 0.437 | 4.179 | 2.014 | 2.165 | 1.925 | 88,000 | 16,082 | 9.08 |
| SUPER140H-2 | 1.750 | 1.000 | 1.000 | 0.252 | 1.661 | 1.433 | 0.500 | 4.506 | 2.163 | 2.343 | 2.055 | 114,400 | 21,692 | 11.68 |
| SUPER160H-2 | 2.000 | 1.125 | 1.250 | 0.281 | 1.898 | 1.638 | 0.563 | 5.295 | 2.555 | 2.740 | 2.437 | 145,200 | 28,050 | 15.44 |
| SUPER200H-2 | 2.500 | 1.562 | 1.500 | 0.374 | 2.374 | 2.047 | 0.781 | 6.667 | 3.230 | 3.437 | 3.083 | 268,400 | 38,080 | 25.86 |
| SUPER240H-2 | 3.000 | 1.875 | 1.875 | 0.500 | 2.850 | 2.457 | 0.937 | 8.591 | 4.146 | 4.445 | 3.984 | 413,600 | 53,108 | 40.16 |
| Triple Strand | | | | | | | | | | | | | | |
| SUPER80H-3 | 1.000 | 0.625 | 0.625 | 0.157 | 0.949 | 0.819 | 0.313 | 4.106 | 1.998 | 2.108 | 1.283 | 66,000 | 11,550 | 6.55 |
| SUPER100H-3 | 1.250 | 0.750 | 0.750 | 0.189 | 1.185 | 1.024 | 0.376 | 4.904 | 2.400 | 2.504 | 1.539 | 97,680 | 18,150 | 9.50 |
| SUPER120H-3 | 1.500 | 0.875 | 1.000 | 0.220 | 1.425 | 1.228 | 0.437 | 6.086 | 2.954 | 3.132 | 1.925 | 132,000 | 23,650 | 13.50 |
| SUPER140H-3 | 1.750 | 1.000 | 1.000 | 0.252 | 1.661 | 1.433 | 0.500 | 6.547 | 3.191 | 3.356 | 2.055 | 171,600 | 31,900 | 17.39 |
| SUPER160H-3 | 2.000 | 1.125 | 1.250 | 0.281 | 1.898 | 1.638 | 0.563 | 7.711 | 3.756 | 3.955 | 2.437 | 217,800 | 41,250 | 22.99 |
| SUPER200H-3 | 2.500 | 1.562 | 1.500 | 0.374 | 2.374 | 2.047 | 0.781 | 9.743 | 4.761 | 4.982 | 3.083 | 402,600 | 56,000 | 38.50 |
| SUPER240H-3 | 3.000 | 1.875 | 1.875 | 0.500 | 2.850 | 2.457 | 0.937 | 12.544 | 6.105 | 6.439 | 3.984 | 620,400 | 78,100 | 59.87 |

Notes:

- Offset links are not available.
- riveted type chain will be provided unless otherwise specified. Roll pin type chain will be provided upon request.
- Semi press-fit type connecting links will be supplied.